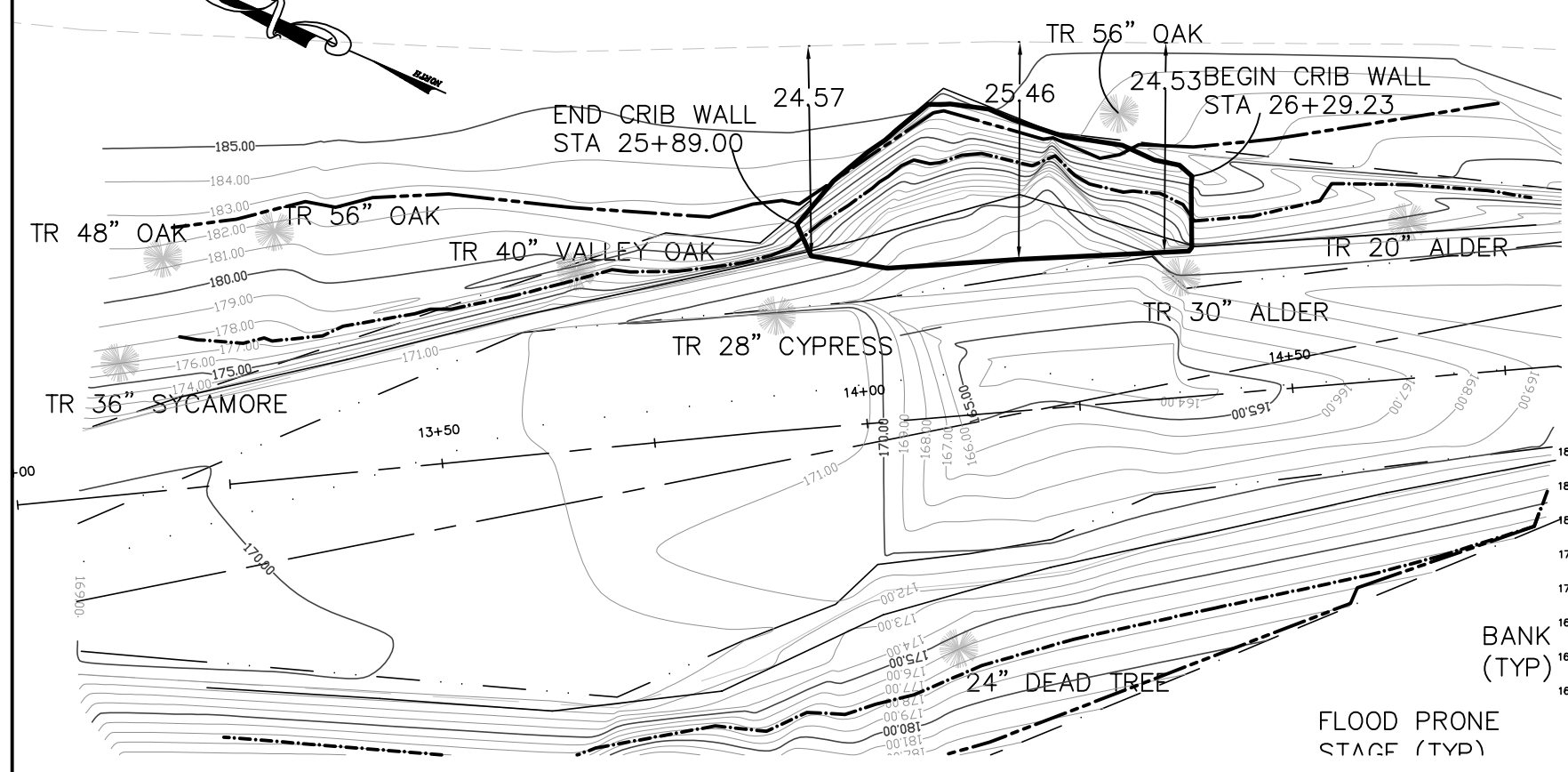


DETAIL A-A
NOT TO SCALE

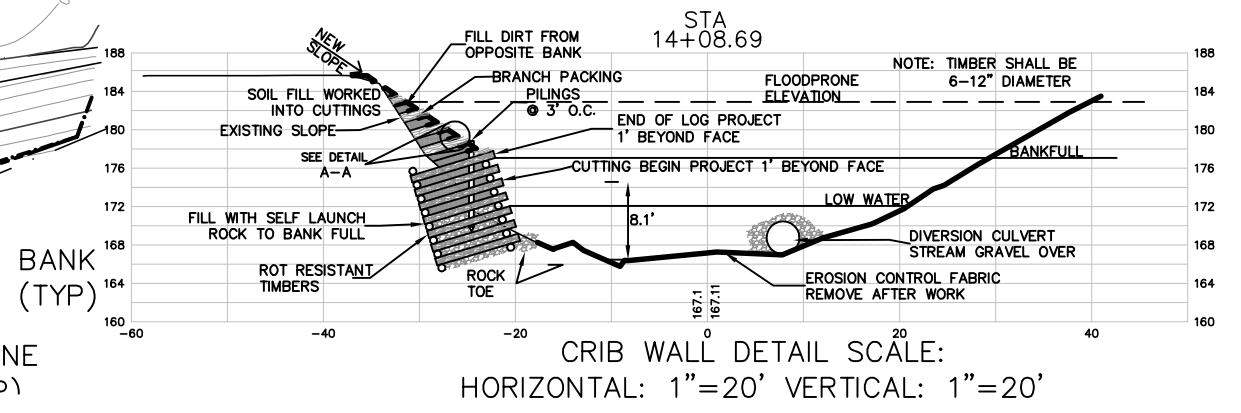


BIDWELL AVENUE



LEGEND

- EXISTING ROAD/EDGE OF PAVEMENT
- EXISTING EDGE OF WATER
- EXISTING THALWEG
- EXISTING FLOWLINE
- MINOR CONTOUR
- MAJOR CONTOUR
- TOP LINE
- TOE LINE
- EXISTING TREE
- CONTROL POINT



PROJECT BIDWELL II SWIMMING HOLE	STREAMINDERS/BCCWA P.O. BOX 68 FOREST RANCH, CA 95942	BY THE ENGINEERING GROUP, INC 1250 EAST AVENUE SUITE 10 (530)899-0409 FAX(530)899-0943	SCALE: 1"=20' HORIZONTAL 1"=20' VERTICAL	Job No. 1547 Sheet 4 of 10
--	--	--	--	---